

RAPTOR 35



FERRARI

language



FERRARI

RAPTOR 35

Traditional compact tractor with rigid chassis and differentiated wheels.

Four-wheel drive, short wheel base and large turning angles make Raptor 35 an agile and high performing multi-functional tractor: from transport operations inside the farm to work in the field and in vineyard and orchard rows, from greenhouses and nurseries to professional greens maintenance and winter use by municipalities.

A machine that offers the benefits of the FERRARI brand: compact dimensions, reliability, comfort and safety.

WIDE RANGE OF OPTIONALS

Front lift with front and under-belly PTO at 1700 rpm, rear lift with position and draft control, seat with spring, adjustable steering wheel, rear work light, front weights and wheel weights, tyres with Tractor or Garden profile.



Generous hydraulic system
with the possibility of fitting up to a maximum of 6 hydraulic outlets.

Synchronised gearbox
(12 FWD + 12 REV) with synchronised reverser.

Maximum speed
of 30 km/h.

4WD
with front-wheel drive disengagement.

PTO independent from the gearbox
and synchronised with the forwarding speed.

Rear Brakes
with multidisc in oil bath.

GENEREROUS ENGINE

In the power range below 19 kW, the new Kohler KDW 1404 proves to be a generous engine because with 4 cylinders and 1400 cubic centimetres, it develops a torque of 78 Nm.

The addition of a speed governor makes the engine snappier and more responsive to loads.



DRIVING POSITION

The driving position of Raptor 35 was designed to-measure for the driver with all of the controls set up ergonomically and easy to use.

Comfort seat with adjustable spring tension according to the operator's weight and height-adjustable steering wheel (opt.) to configure the driver's seat for the maximum operational comfort.

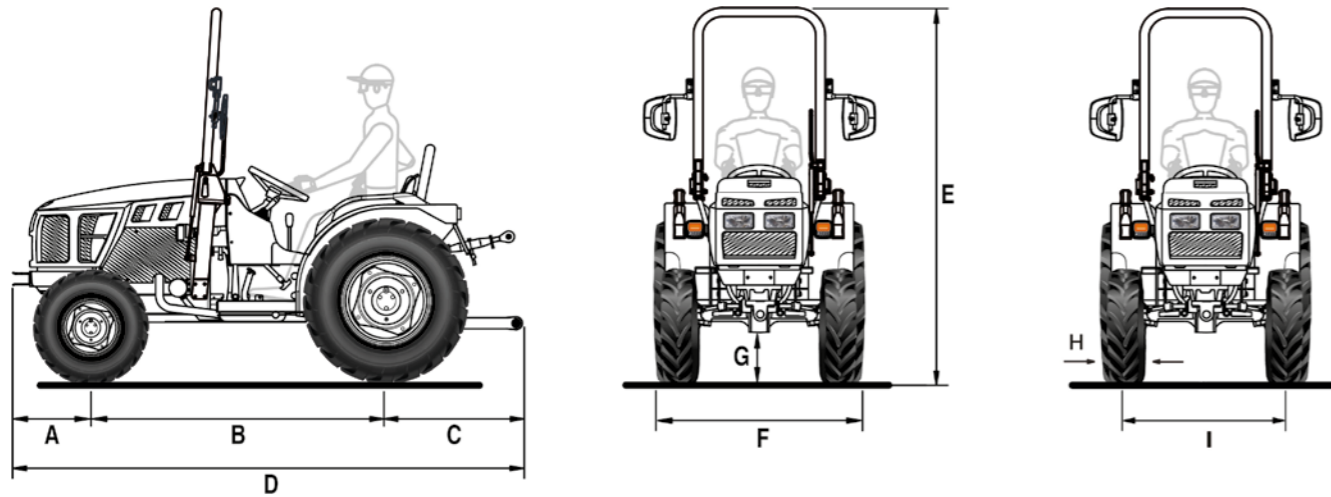
A modern dashboard with analogue instruments offers total control of the tractor's status.

Hydrostatic steering guarantees maximum manoeuvrability and contained turning radii to work better even in tight spaces.



RAPTOR 35

Data Sheet



| A | B | C | D | E max | F min/max | G min/max |
|-----|------|-----|------|----------|--------------|--------------|
| 424 | 1553 | 730 | 2707 | 2505 | 957 / 1401 | 242 / 272 |

* Dimensions in mm

| | 6.5/80-12 | 250/80-18 | 23x8.50-12 | 280/70 R18 | 7.00-12 | 300/70 R20 | 25x8.50-14 Garden | 380/70D-15 (36x13.50-15) Garden |
|---|-------------|-------------|-------------|-------------|-------------|------------|----------------------|---------------------------------------|
| | front | rear | front | rear | front | rear | front | rear |
| H | 165 | 240 | 213 | 282 | 192 | 286 | 213 | 381 |
| I | 868 / 1104 | 791 / 1107 | 932 / 1044 | 779 / 1119 | 924 / 1146 | 671 / 1227 | 960 / 1016 | 907 / 991 |
| F | 1033 / 1269 | 1121 / 1347 | 1145 / 1257 | 1151 / 1401 | 1116 / 1296 | 957 / 1513 | 1173 / 1229 | 1288 / 1372 |

* Dimensions in mm - min / max
H = Tyre width - I = Wheel track - F = Tractor width

| TECHNICAL FEATURES | RAPTOR 35 |
|--|---|
| ENGINE | Kohler KDW 1404 |
| No. of cylinders | 4 |
| Displacement (cc) | 1372 |
| Intake | Natural |
| Emissions compliance | Stage V |
| Power (kW/hp) | 18.8 / 25.6 |
| Rated speed (rpm) | 3000 |
| Max torque (Nm/rpm) | 78 / 2000 |
| Cooling | Liquid |
| Tank capacity (l) | 26 |
| CHASSIS | Rigid with steering wheels |
| DRIVE | Four-wheel drive with front-wheel drive disengagement |
| TRANSMISSION | 24-speed synchronised gearbox: 12 FWD and 12 REV with synchronised reverser |
| Min/max travel speed (km/h) | 0.6 / 30 |
| Transmission clutch | Dual disc with pedal control for the gearbox - Hand lever control for the PTO |
| DIFFERENTIAL LOCK | Rear with mechanical control |
| AXLES | Front: steering, portal axle with bevel drive gear set and lateral bull-gear units - Rear: with planetary reduction units |
| REAR PTO | Independent from the gearbox, 540 rpm and synchronised with forwarding speed |
| Engagement control | Mechanical |
| HYDRAULIC SYSTEM | With hydraulic gear pump |
| Flow rate to the hydroguide, lift and control valves (l/min) | 19.3 |
| Maximum hydraulic pressure (bar) | 110 |
| REAR CONTROL VALVES | Mechanically controlled |
| Standard | 1 double-acting (total 2 hydraulic outlets) |
| Optional and in addition to the standard ones | For lift by rams: 1 single-acting and 1 double-acting with float (total 5 hydraulic outlets) or 2 double-acting including 1 with or without delivery lockable position (total 6 hydraulic outlets). - For lift with draft and position control: 1 single-acting (total 3 hydraulic outlets) or 1 double-acting with lockable position (total 4 hydraulic outlets) |
| ELECTRIC SYSTEM | Battery: 45 Ah / 12 V - Alternator: 30 A |
| Rear power socket | 7 pins |
| REAR LIFT | By two external rams. Standard: raising/lowering - Optional: position and draft control |
| 3-point implement hitch | Normal couplings cat. 1 |
| Third point tie rod | With manual adjustment |
| Ball joint lifting capacity (kg) | 750 |
| FRONT LIFT (optional) | Couplings cat. 1N, with front and under-belly PTO at 1700 rpm |
| Lifting capacity (kg) | 350 |
| SEAT | With safety belt and man-on-board sensor. Standard: upholstered seat, cushioned, adjustable springs and positions - Optional: 'Kab' lowered seat |
| SERVICE BRAKES | Rear, multidisc in oil bath |
| Parking brake | Acting on service brakes |
| STEERING | Hydrostatic steering acting on the front wheels |
| SAFETY | Front homologated roll-bar with gas spring for easy lowering and lifting |
| DASHBOARD | With instrumentation complete with fuel level indicator, engine coolant temperature, engine rpm, operating hours and warning lights |
| TYRES | 6.5/80-12*250/80-18 - 23x8.50-12*280/70R18 - 7.00-12*300/70R20 - 25x8.50-14*380/70D-15 (36x13.50-15) Garden |
| TOW HOOKS (standard) | Front - Rear CUNA cat. B adjustable in height |
| Optional | Rear EC approved, adjustable in height |
| RUNNING ORDER WEIGHT with roll-bar (kg) | 1100 |
| ADDITIONAL OPTIONS | Height-adjustable steering wheel, 1700 rpm under-belly PTO, adjustable rear working light, beacon lamp, front weights 60 kg, rear wheel weights 45 kg each. |

THE SERVICES



SPARE PARTS

A complete range of original spare parts, guaranteed directly by the manufacturer.



ASSISTANCE

A team of specialists, well prepared and available to assure an efficient and resolving service.



LUBRICANTS

We recommend to use the original PowerLube lubricants.



FINANCIAL SERVICES

Financial solutions to meet the credit requirements.



MADE IN ITALY