

Mounted Sprayers



[www.kuhn.com](http://www.kuhn.com)

# ALTIS 2

1502, 1802 & 2002



be strong, be **KUHN**







ALTIS

1502

1802

2002

# A MOUNTED SPRAYER WITH THE TECHNOLOGY OF A TRAILED SPRAYER

## A DESIGN WORTHY OF THE LARGEST MODELS

ALTIS 2 mounted sprayers have been designed on the same basis as our trailed and self-propelled sprayers. The OPTILIFT system with parallelogram will guarantee a level of quality and reliability that's worthy of the largest models.

## SIMPLE YET SUITED TO YOUR NEEDS

First and foremost, ALTIS 2 are simple, reliable sprayers that you will quickly come to grips with.

- Quick, easy coupling
- Simple, trouble-free setting up
- Intuitive electronic regulation solutions.

## BALANCE IS THE KEY

With their light weight, suspension during transport and 3D suspension, ALTIS 2 sprayers are designed to offer constant balance throughout the spraying process to ensure high output and total reliability.

## Kuhn mounted sprayer solutions



|         | Tank volume (L)     | Working width (m) |
|---------|---------------------|-------------------|
| ALTIS 2 | 1500, 1800 & 2000 L | 15 to 28 m        |





# IT ALL STARTS WITH QUICK AND EASY COUPLING!

Attachment is downtime that must be kept as short as possible, especially if the tractor is assigned to a number of other tasks. The number of connections and the Easy-Hitch design makes the sprayer operational in under 3 minutes!



## A LIGHT-WEIGHT TRIANGLE

The Easy-Hitch automatic coupling triangle weighs only 17 kg and is therefore easy to handle and install on the rear lifting arms of the tractor. The sprayer angle is adjusted directly before sprayer coupling and without any effort! The triangle is locked onto the sprayer safely and automatically without any risk of it becoming detached while you work.

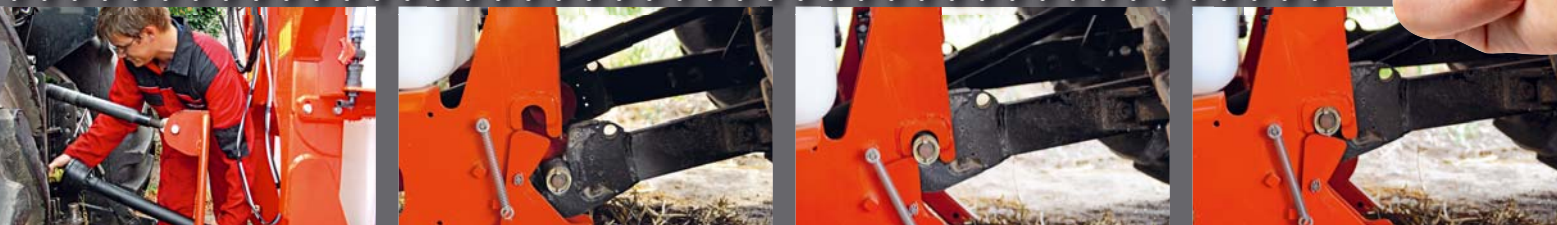


## A MORE BENEFICIAL POSITION

The pump is positioned at the rear on ALTIS 2 sprayers, which provides easy access for servicing and allows the use of a long transmission to facilitate coupling. The operator can leave enough space to secure the connections before reversing and locking on the sprayer.



KUHN “+” POINTS: 3-minute hitching







## A PERFECTLY BALANCED DESIGN

The overall design of ALTIS 2 mounted sprayers is based on a simple fact: you cannot always use your main tractor for spraying. The "L" design coupled with the OPTILIFT parallelogram offers a reduced unladen weight compared to the competition, and also helps to carry up to 2000 litres of spraying mixture.



### CENTRE OF GRAVITY CLOSE TO THE TRACTOR

With the Easy-Hitch automatic coupling system, the lifting arms of the tractor are fully integrated into the frame on ALTIS 2 sprayers. The load is therefore transferred vertically on the lower arms, lifting needs are very low and the adherence of the front wheels of the tractor is preserved.



### "L" FRAME

The unique "L-shaped" frame offers a reduced unladen weight in comparison to the competition and helps to carry 2000 litres of spraying mixture. Its one-piece machine-welded design with high elastic strength ensures outstanding robustness and long life for the sprayer.



### 2 TANKS THAT BALANCE EACH OTHER OUT

The tanks are designed to maintain excellent left/right balance irrespective of fill level. Their deep sump design ensures excellent draining. The specific shape of the sump (double-slope) remains effective, even when tilting.

The walls of the polyethylene tanks are perfectly smooth, both inside and out, to facilitate cleaning.

# FILL YOUR SPRAYER EASILY

Filling is strategic on a sprayer. Exact volume, filling time and contact with plant protection products are the usual requirements concerning filling operations. On ALTIS 2 sprayers, KUHN has developed a filling design that meets all these requirements.



DILUSET and e-SET setting up systems integrate as standard a system that allows you to fill the sprayer tank automatically with a selected volume. The plus point of e-Set: no need to climb up into the cab, the selected volume is displayed on the setting up unit!



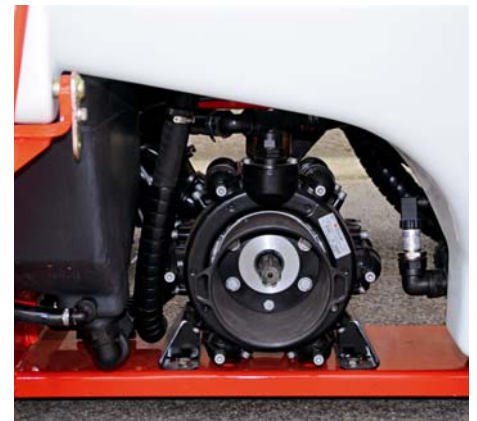
## VISUALISE THE VOLUME IN THE TANK

You have excellent visibility over the gauges, whether from the setting up area or the tractor cab. The gauge on the rinsing tank will also help you to split up the rinsing operations easily.



## CENTRALISED FILLING

Whether filling the main tank or the rinsing tank, these operations can be performed from the centralised setting up area. Quick couplings will help you connect the pipe very easily, without any tools.



## FILLING WITH HIGH-VOLUME PUMPS

With the high-volume piston-diaphragm or centrifugal pumps on ALTIS 2 sprayers, you will save time when filling the main tank. Spend less time in the filling area to make the most of your time in the field and increase your work output.





### **RAPID INCORPORATION OF ALL PRODUCT TYPES**

The new incorporator on ALTIS 2 sprayers offers a new reference in terms of safety. Its funnel design helps to integrate all product types efficiently: liquids, powders or granules, and with significant time savings.



### **SAFE INCORPORATION**

During rinsing operations, the incorporator on ALTIS 2 mounted sprayers allows you to clean the bottles, the dosage cup or the funnel. with its rotary cleaner, clean your machine's incorporator efficiently in watertight conditions, without any splashing for improved operator safety.







# SIMPLE, BOTH INSIDE AND OUT

Setting up your sprayer is a key stage in the spraying process. With two main valves, the total number of handling operations from filling to rinsing is considerably reduced, any risk of error is eliminated and you are assured of rinsing all parts of the sprayer!

Simple setting up also involves having a shorter circuit for reduced dead storage volumes to facilitate the rinsing stages.



## MANUSET

Complete control when preparing your products. During rinsing operations, 360° with the delivery valve ensures that you send clear water into all sprayer circuits.

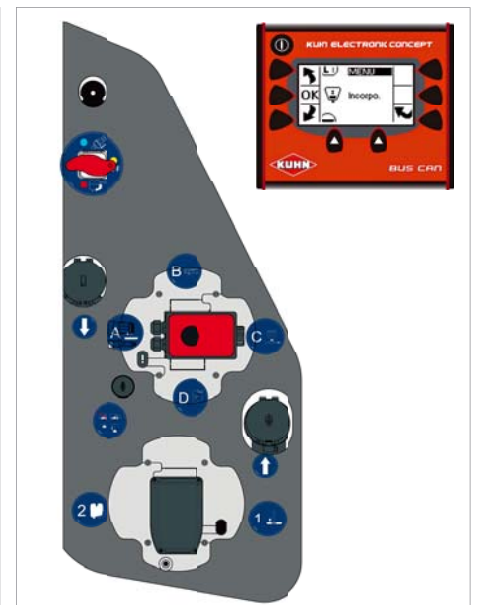
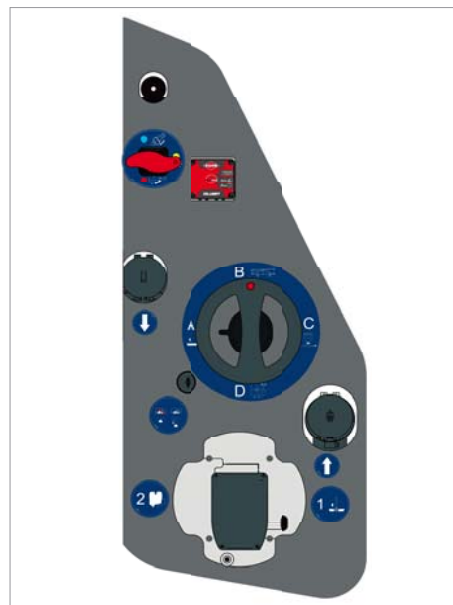
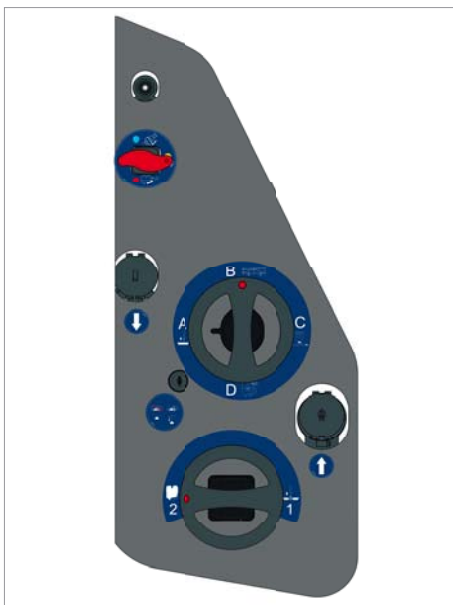
## DILUSET +

Rinse your sprayer or boom from the cab!

During filling operations, pumping automatically stops at the required value, while you maintain control in the setting up area with the Diluset + unit.

## E-SET

In addition to the RINS-ASSIST function and the automatic filling system, e-SET guarantees 1:10 dilution of any residues. With the EASYSET unit, no searching for valve positions, just select the required function...







## PREVENT BLOCKAGES, ADOPT QUADRUPLE FILTRATION!

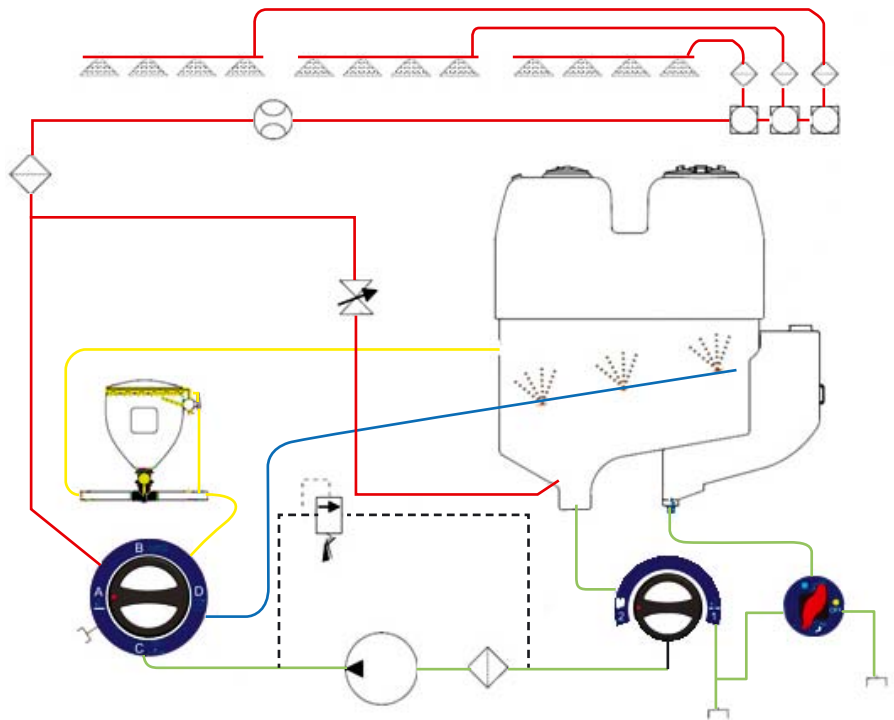
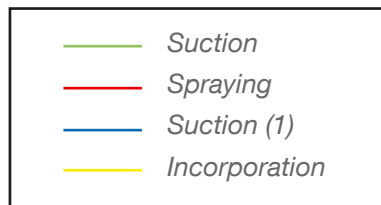
ALTIS 2 sprayers are equipped with four levels of filtration. After filling (1), the suction filter (2) and the delivery filter under pressure (3) will prevent any larger impurities from reaching the boom.

Bowl filters on the boom (4), positioned after the section valves, as close as possible to the nozzle, will keep blockages down to a minimum.

All the filters can be cleaned, even when the sprayer tank is full.

With a single circuit, you are fully in control anything you do with your sprayer.

With ALTIS 2 sprayers, imagine what you are doing before you even touch any valves!



## KUHN “+” POINTS

360° FOR 30% LESS HANDLING

The multi-function handwheel allows you to rinse the entire sprayer with one hand

= You save time during the setting up process

Reduced handling by up to 30% in comparison to some competitors allows you to set up the machine trouble-free





# A PARALLELOGRAM JUST LIKE ON LARGER MODELS!

OPTILIFT is the keystone of ALTIS 2 mounted sprayer design. Nowadays, many manufacturers of trailed and self-propelled sprayers have swapped sliding mast lifting systems in favour of parallelogram lifting systems. Naturally, ALTIS 2 mounted sprayers have followed this trend by proposing OPTILIFT which features a parallelogram lifting system, essential for sprayer performance.

## INCREASED RELIABILITY!

This simple technical solution integrates rotary arm movements only around the joints, without any sliding or friction, therefore providing reduced servicing and improved reliability.



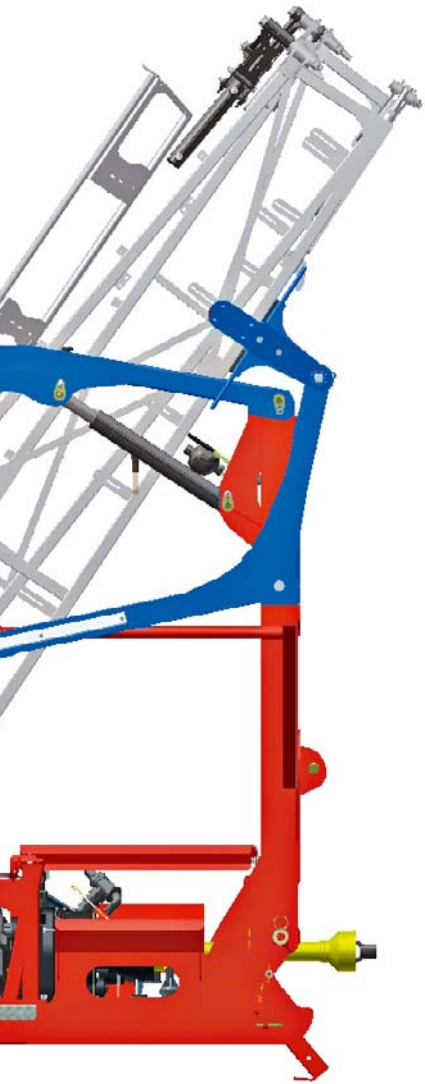
## KUHN “+” POINTS OF OPTILIFT

1. High working height amplitude: up to 2.5 metres of working height!

With its 2.5 m working height (coupled to the tractor), the OPTILIFT parallelogram lifts the boom significantly high when working with tall crops.







## 100% ACTIVE SUSPENSION LETS YOU SHIFT UP A GEAR



**ON THE ROAD...**



**... AND IN THE FIELD**

More and more tractors are fully suspended to provide optimal comfort, especially at high speed (up to 50 km/hr in some countries). With the OPTILIFT parallelogram, you no longer feel the loads and stresses in the cab. With the fully protected sprayer boom, you save time during transport and you can shift up a gear in the field!

### 2. Suspension during transport.







# SAVE TIME, QUICKER SPRAYING



## ESSENTIAL 3D SUSPENSION!

EQUILIBRA pendulum link suspension provides boom damping in all 3 dimensions. Even when spraying on uneven terrain, EQUILIBRA keeps the boom parallel to the ground. No more impacts on the ground or crops, or excessive boom movements that increase drift!



## TRAPEZIA SUSPENSION: SIMPLE AND EFFICIENT

Specially designed for MTS2, RHPM and MTA3 booms, TRAPEZIA suspension is perfectly adapted for ALTIS 2 sprayers. Its main advantage?

It has an automatic mechanical tilt corrector as standard.

### Main specifications

1. 2 stabilizing links
2. Automatic mechanical tilt corrector
3. Hydraulic tilt corrector (optional)

### Available on the following booms:

- MTS2
- RHPM
- MTA3

- 1 2 stabilizing links
- 2 Automatic tilt corrector
- 3 Hydraulic tilt corrector (optional)

## AUTOMATIC MECHANICAL TILT CORRECTOR

The springs located under the lower part of the frame allow the boom to follow the terrain automatically. This tilt correction remains fully mechanical, without any action required from the driver.

- A hydraulic tilt correction cylinder supplements the automatic mechanical correction in particularly hilly areas.
- Shock absorbers on each side of the frame limit boom inertia and reduce any lateral movements of the structure.





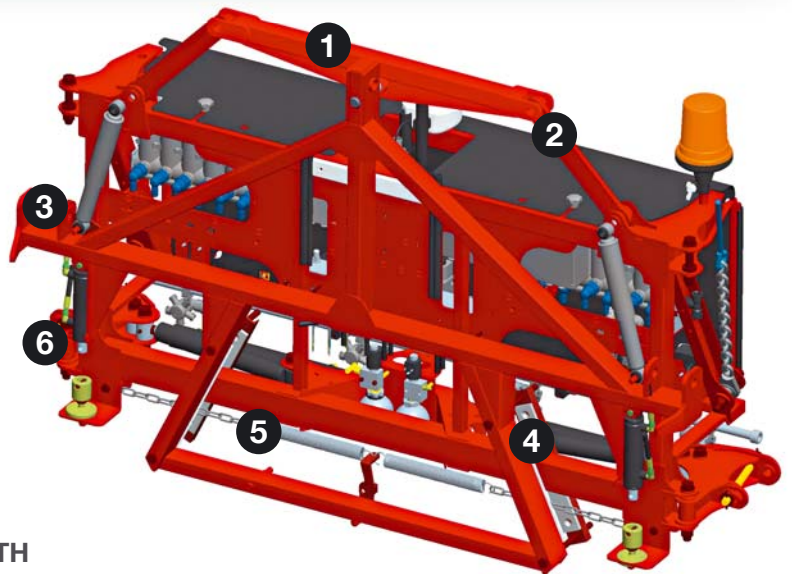


# EQUILIBRA

## EQUILIBRA3D SUSPENSION:

### FOR INTENSIVE CONDITIONS!

- ❶ Robust pendulum movement
- ❷ Link rods, for radial movements
- ❸ Shock absorbers to eliminate any rebounds
- ❹ Independent Left/Right anti-whiplash
- ❺ Spring-loaded automatic tilt corrector
- ❻ Frame locking



## EQUILIBRA: PENDULUM LINK SUSPENSION WITH SHOCK ABSORBERS

On uneven terrain, the combination of a pendulum and link rods offers sufficient freedom of movement to maintain boom stability, irrespective of the type of land constraints encountered. Two shock absorbers are also used to dampen and limit any vertical movements to keep the boom perfectly level, especially when cornering, even at high speed.

### Available on booms:

- RHPA
- MEA3



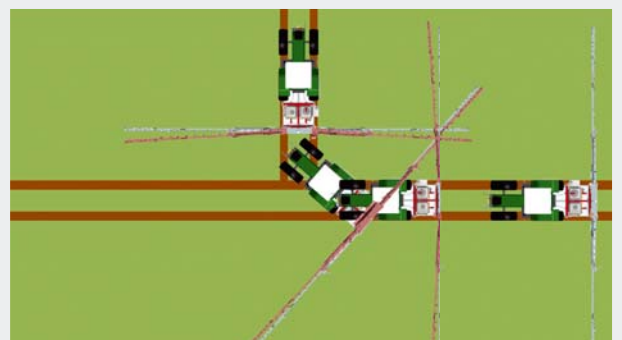
## KUHN “+” POINTS

### INDEPENDENT ANTI-WHIPLASH: the 3<sup>rd</sup> dimension

Whiplash describes back-and-forth movements of the boom which are highly damaging to the joints, especially during headland manoeuvres: Braking (1), Cornering at the headland (2), Acceleration (3).

The system, with a nitrogen ball on the cylinders of the first arms, provides full and independent protection on each side of the boom in all situations for increased reliability, as well as during all spraying phases.

The structure is therefore protected, even under heavy braking.





## MTS2 STEEL BOOM: simplicity!

With its robust steel design, this boom is made to last.

- 15, 16 and 18 m
- Jet protection over the entire boom width
- 3D safety
- Compact folding
- Stainless steel pipe as standard
- Quadrijets as standard

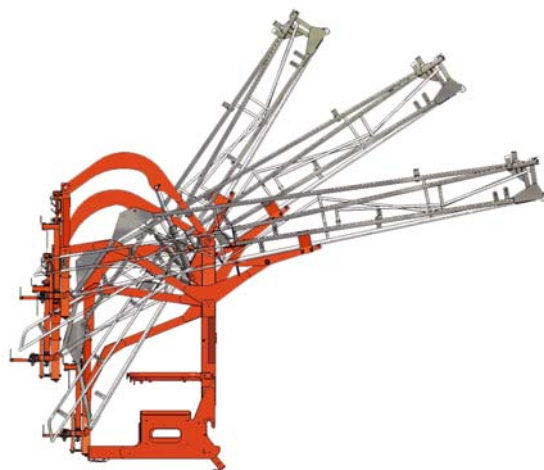


## RHPM and RHPA BOOMS

A tried-and-tested structure, simple kinematics and quick unfolding are the major benefits of these aluminium booms.

RHPM and RHPA booms are equipped with the following points:

- 2 aluminium arms with jets protected over the entire width
- Stainless steel pipe and quadrijets as standard
- 3D safety as standard
- RHPM with TRAPEZIA suspension, from 20 to 24 m
- RHPA with EQUILIBRA suspension, from 20 to 28 m



## KUHN “+” POINTS: aluminium on booms over 18 m

Aluminium is a material that is becoming increasingly widespread in our daily lives. Why? Aluminium naturally offers many advantages. This is why, since 1986, KUHN proposes aluminium only for booms over 18 m:

- Natural resistance to corrosion: a crucial point when using crop protection products and fertilisers.
- Density 2.7 times lower than steel: a more robust boom, yet light-weight!







# COMPACT BOOMS?

## LIMIT THE NUMBER OF JOINTS!

Many of the compact booms available on the market have a vertical folding system, with a large number of joints, significant rear overhang, etc.

With MTA3 and MEA3 booms, KUHN offer an alternative to lateral or vertical unfolding...diagonal unfolding, to limit the number of joints while retaining a compact design, which is highly sought after nowadays, without increasing rear overhang.

### ONLY 2 JOINTS: RELIABILITY AND STABILITY

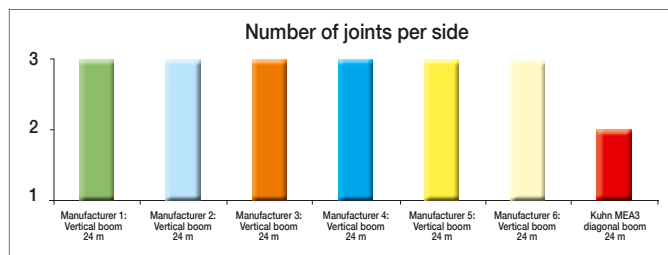
Not to mention structural reliability, in spraying design, boom joints are often synonymous with whiplash. Whiplash therefore increases with the number of joints.

With MTA3 and MEA3 aluminium booms, KUHN has chosen to keep the number of joints down to a minimum.

Moreover, they are specifically locked to limit any whiplash. Boom stability is improved, as is its reliability!

### MTA3 & MEA3:

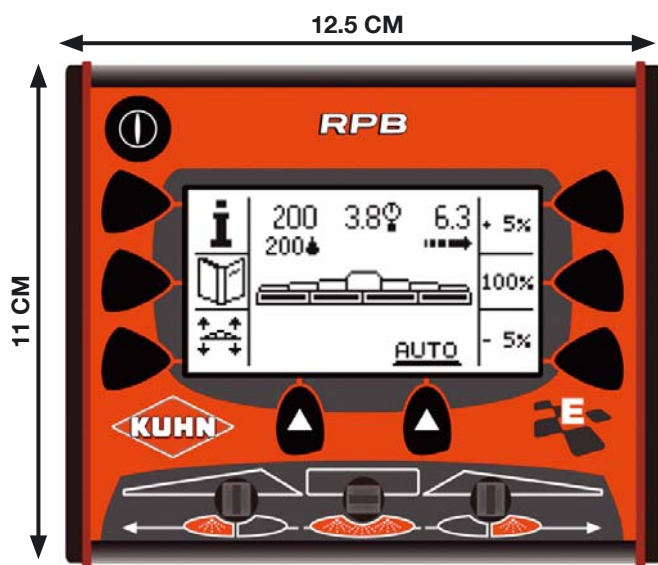
- 20, 21 and 24 m (MTA3 not available in 24 m)
- EQUILIBRA suspension (MTA3 with TRAPEZIA suspension)
- 3 aluminium arms
- Exclusive DIAGONAL folding
- 3D safety with front/rear jet protection
- Stainless steel pipe
- Quadrijets as standard





# THE SMART SPRAYER!

KUHN electronic solutions, with BUSCAN technology on ALTIS 2 sprayers, offer excellent versatility and increase both spraying accuracy and driving comfort. Discover the farming of the future.



CAN BUS RPB UNIT



CAN BUS DPS BOX

## RPM: compact, simple and efficient

The RPM electronic unit automatically adapts the quantity of spraying product to the speed of the tractor (DPAE regulation). Only important information is displayed on the working screen (Dose/Ha, Pressure and Speed).

While spraying, the operator can:

1. Modulate the dose
2. Open and close sections sequentially
3. Switch on the boom lights

The boom folding and unfolding control, via function selector, is directly integrated into the unit.

## DPM regulation with DPS box

- Sequential section opening/closing
- Electric general opening
- Pressure setting from the cab
- Hydraulic function control





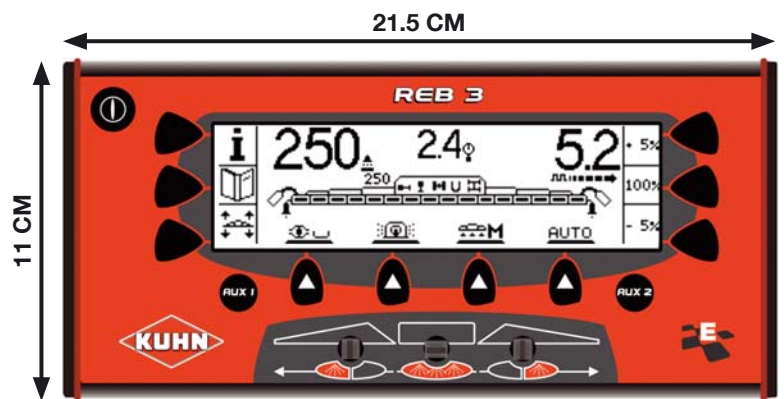


# ESSENTIAL FOR SPRAYING ACCURACY REB3 UNIT

The REB3 unit groups together all sprayer functions. Adapted to the accuracy of crop protection work, it was designed to be as easy to use as possible, with good ergonomics.

## All functions integrated into the REB3 unit

- DP&AE regulation
- Sequential section opening/closing
- Worklights and Revolving warning beacon
- Automatic filling
- Boom hydraulics via selector
- H-MATIC: boom height at the headland (associated with CH10)
- GPS Section Control
- Offset jets on boom-ends
- Rinsing from the cab



## Hydraulic boom control: 2 possibilities

| Functions   | Hydraulic connection   | Unit in cab  |
|---|--|--|
| <ul style="list-style-type: none"> <li>• Arm opening (two-stage max.)</li> <li>• Tilt correction</li> </ul>   | <ul style="list-style-type: none"> <li>• 1 single-acting valve</li> <li>• 1 double-acting valve</li> </ul> | <ul style="list-style-type: none"> <li>• Integrated into the regulation unit (DPS, RPB, REB3 or VISIOREB)</li> </ul> |
| <ul style="list-style-type: none"> <li>• Arm opening (asymmetry possible)</li> <li>• Tilt correction</li> <li>• Variable geometries</li> <li>• Controllers (H-Matic)</li> </ul> | <ul style="list-style-type: none"> <li>• 1 SA + return or 1 DA</li> </ul>                                  | <ul style="list-style-type: none"> <li>• Addition of the CH10 unit</li> </ul>  |



## KUHN “+” POINTS

Keep an eye on information that is important to you, while you work. Very easy to read and clearly displayed in large letters.

The following information is displayed on a single working screen:

- Dose applied, and selected
- Theoretical pressure
- Forward speed



# MAKE SPRAYING SIMPLER WITH VISOIREB

Automatic section cutout is becoming the standard, both for application accuracy and for your comfort. Designed around the GPS Section Control function with a 7-inch touchpad, the VISOIREB regulation unit is perfectly adapted to spraying.

Whether preparing, spraying or visualising, the VISOIREB terminal facilitates spraying in all stages of your work.



## OUTSTANDING ERGONOMICS!

With its latest generation colour touch screen, the VISOIREB terminal offers outstanding ergonomics.

With its uncluttered and intuitive menus, you can prepare your sprayer in just a few clicks.

From controlled sprayer filling to nozzle selection, the VISOIREB unit will only ask you the questions required to perform high-quality work in your chosen field.



## KUHN “+” POINTS

MONITOR YOUR WORK WITH VISUALISATION  
Modify the view angle for your field, as required!

Rear view, top view or automatic mode? Anything is possible! You can even move the machine manually.

At the headland, the zoom allows you to check that all hidden areas of your field have been treated





## ITS MANY FUNCTIONS

In addition to controlling the functions integrated into the REB3 unit, the VISOIREB terminal proposes the following points as standard:

- Assistance for filling, with a built-in computer
- Contrast that automatically adapts to the working conditions
- A visual aid to ensure that the entire field has been treated
- Increased intuitive operation via visual indicators
- Facilitated field control, providing improved traceability

## IT DISPLAYS ONLY WHAT YOU NEED, WHEN YOU NEED IT!

Dose applied, pressure, speed, volume remaining in the tank or, alternatively, section control?

It's all there, and nothing else. The functions are displayed when you click or at the headland to let you control the options as required.

VISOIREB will not drown you in unwanted information and lets you only display what you need, while you work.





# GPS SECTION CONTROL: SIMPLY HIGH-PERFORMANCE

The boom sections open and close automatically. Fully integrated into the REB3 or VISIOREB regulation unit, the configurable system is simple to control according to requirements.

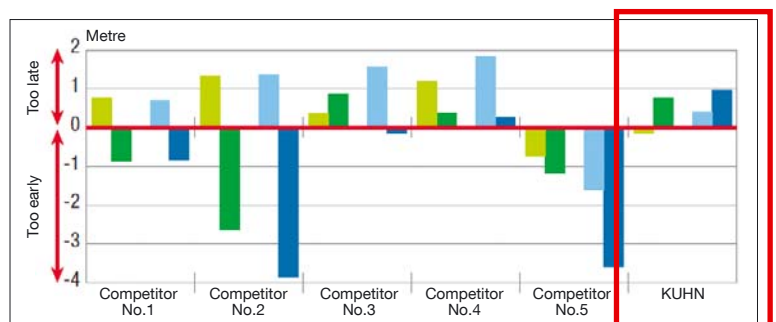
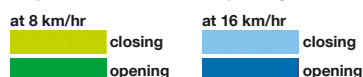
Work in daylight or at night without fatigue and with the same efficiency:

- No additional boxes or wires
- Only 3 operating modes (manual, contour or automatic)
- Various configurations can be programmed to optimise overlap



**IMAGE TITLE: THEY'RE TALKING ABOUT IT! – TOP AGRAR MAGAZINE DATED MARCH 2014  
"SPRITZENVERGLEICH: SAUBER UND GENAU"**

According to tests carried out by German magazine Top Agrar with the JKI institute (Germany), ALTIS 2 sprayers with GPS Section Control operate cutouts extremely accurately, as close to the ideal point as possible, whether at 8 or 16 km/hr. From Top Agrar magazine dated March 2014 in its article "Spritzenvergleich: sauber und genau", "The GPS cutouts operated correctly during the tests, any differences in cutout with respect to the ideal point were relatively insignificant"



## KUHN “+” POINTS

The optional equipment is coupled to the GPS Section Control:

- H MATIC: when the spray opens, the boom is already at spraying height.



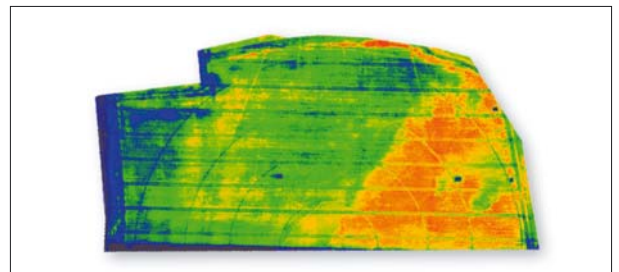


# BECOME A PRECISION FARMER

Precision farming facilitates the optimisation of supplies and output, while preserving resources. The concept takes into account any variations in crop growth or soil nutrients in the field, and is based on state-of-the-art technology, such as geolocation tools (GPS).

## MODULATE THE DOSE – MODULATION MAPS

To reduce your production costs, dose modulation is now possible between fields. Integrating a recommendation map into your GPS will allow the regulation unit to apply the selected value directly.



## MODULATE THE DOSE – N-SENSOR

The regulation unit is compatible with many nitrogen sensors.

You apply only products that the plant needs, without any excess! You can then use all the potential of your soil.



## ALREADY EQUIPPED WITH A GUIDE BAR?

Compatibilities exist with many guide bars equipped with GPS section cutouts. Cutouts such as Trimble, CNH, Raven, Top Con, Teejet, Arag or Rinex are compatible.

This is your opportunity to increase the benefits from the equipment on your tractor. A simple interface will make the REB3 unit compatible with your section cutout.





# INSUFFICIENT CAPACITY? SELF-PROPELLED SPRAYER?

## PF FRONT-END SPRAYERS: WELCOME TO THE BIG LEAGUE

### BY INCREASING YOUR CAPACITY BY 75%, YOU IMPROVE YOUR PRODUCTIVITY

The combination of ALTIS 2 and PF sprayers offers a capacity of 2500 to 3500 litres which, with the performance of today's tractors, makes it a cheaper solution than a self-propelled sprayer with the same capacity.

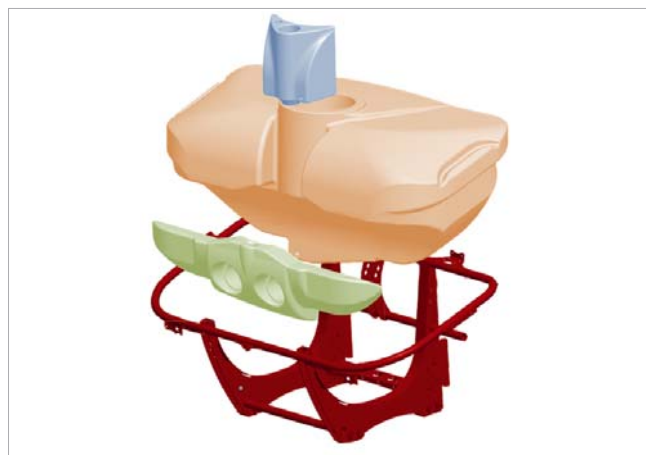
PF front-end sprayers, with a capacity of 1000 to 1500 litres, provide optimal weight distribution on the tractor to maintain excellent stability, even when tilting.



### A PROPER SPRAYER: COMPLETE AND INDEPENDENT

Frontend sprayers are not simply front tanks; their design is based on boom sprayers and makes them autonomous and independent. The circuits of these sprayers integrate functions such as product incorporation, mixing and rinsing.

Electric or hydraulic drive motors of up to 125 L/min are used to supply the circuits, setting up areas are available in either manual (MANUSET) or motorised version (DILUSET).







## CLEAR WATER? 1 PRODUCT? 2 PRODUCTS?

### IT'S POSSIBLE!

Both sprayers offer several strategies, a large capacity of up to 3500 litres with a single product or two separate capacities for 2 different products. The PF can also simply be used as a clear water feeder (PF S version).

### ALL IN ONE: A SINGLE PIPE FOR INCREASED SIMPLICITY!

ALTIS 2 and PF sprayers are only connected by a single pipe. Quick-connections make coupling easy and quick. No additional units are required for spraying.

You just choose which tank you wish to work with by clicking on the REB3 or VISIOREB unit in the cab.

### FUNCTIONAL & ERGONOMIC DESIGN

PF sprayers adopt a compact shape to provide users with excellent visibility over the front of the tractor.

The needle gauge is easily visible from the cab and indicates the volume at the front.

LED front and side lights are available as a supplement to the signaling lights for night spraying.

(It is prohibited to install road lights on a front-end tool.)





## KUHN “+” POINTS FOR QUALITY SPRAYING



### BOOM ASSIST: HAVING THE BOOM AT THE CORRECT HEIGHT MEANS LIMITED DRIFT AND COST-SAVINGS

BOOM ASSIST keeps the boom at the correct height, irrespective of field topology. Keeping your boom at the ideal height limits drift (wastage) and provides savings in terms of crop protection products! using ultra-sound sensors, the system detects boom height at all points. Ultrasound technology is used to maintain the correct boom height in relation to the vegetation, irrespective of conditions: in daylight or at night, dry weather or fog, on vegetation or bare ground, BOOM ASSIST automatically adjusts the height, tilt and independent variable geometries to keep the boom close to the target.

While you drive the tractor without having to steer the boom, BOOM ASSIST controls the hydraulic boom functions.

### KUHN “+” POINTS

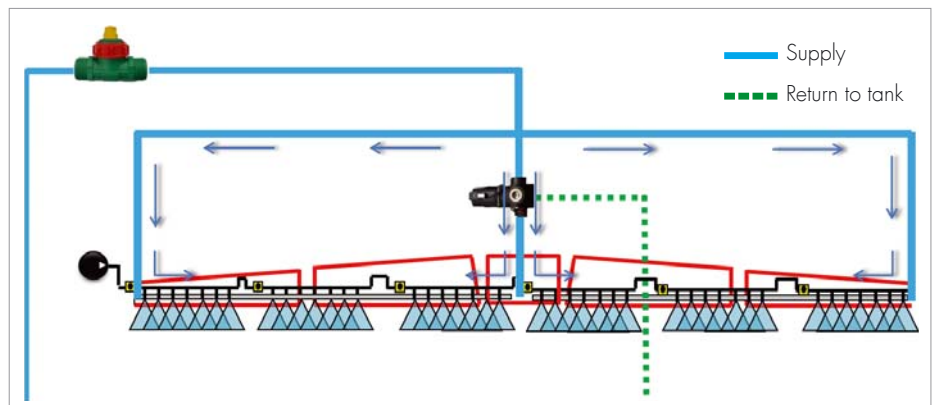
The sensors are specially designed for spraying, allowing you to monitor the ground, the crops, or both at the same time in hybrid mode.

The patented HYBRID mode is integrated as standard in the sensors and allows the system to detect crop height. Even with uneven or flattened crops, the system never loses its efficiency



### INCREASE YOUR SPRAYING ACCURACY: CONTINUOUS CIRCULATION

- Accuracy when you start work in the field: even when spraying stops, the product flows continuously through the boom at a high rate.
- Priming is continuous and the risk of deposits is very low.
- Opening and closing accuracy: an air circuit controls the anti-drip valves directly and the spray opens and closes instantly.







## DESIGNED FOR SPRAYING DOWN TO THE SMALLEST DETAIL!



### SPEED SENSOR VIA GPS

Equipping your sprayer with a GPS antenna makes it capable of measuring the forward speed itself. The wheel sensors on your farm tractors may be discontinued.

With this sensor, slippage is taken into account, providing improved regulation quality.



### CONTROL THE BOOM-END JETS

To increase spraying width, an additional asymmetric jet can be installed on the boom-ends. These jets are controlled manually or electrically from the cab. These jets will allow you to increase the spraying overlap between 2 passes or for field borders.



### PPE LOCKER

Personal protective equipment is compulsory for your safety during your spraying work. This watertight locker allows you to keep your PPE in good condition and in a handy location.

A second locker is located on the right hand side on ALTIS 2 sprayers.



### WORK UNDER OPTIMUM CONDITIONS: WORK LIGHTS

To make the most of optimum spraying conditions (low temperature and high hygrometry), night work is possible. 1 LED lamp is located below the boom on each side for perfect spraying control, even at night.



### THINK OUTSIDE....

To clean the sprayer in the field, an automatic 15 m hose reel with manual spray gun is positioned near the boom.





\* KUHN SERVICES

## BENEFITS TO HELP YOU GET MAXIMUM USE AND PROFITABILITY FROM YOUR EQUIPMENT

\* Some services are not available in all countries.

### KUHN sos order

**WITH KUHN SOS ORDER, RECEIVE YOUR PARTS ALL YEAR ROUND\***

Express delivery! You are sure of getting the spare parts you need every day of the year - including weekends and bank holidays. With KUHN sos order, downtimes are kept to a minimum and your productivity is preserved.

\* except for 1<sup>st</sup> January, 1<sup>st</sup> May and 25<sup>th</sup> December.

### KUHN protect +

**WITH KUHN PROTECT +, WORK WITH TOTAL PEACE OF MIND!**

36 months' cover with all the safeguards provided by the warranty! With KUHN protect +, you can concentrate exclusively on your job while enjoying maximum performance from your machine. Because investing in equipment with the latest modern technology is also a way of being more efficient in all your work.

### KUHN i tech

**WITH THIS EXPERTISE YOU ARE ALWAYS ONE STEP AHEAD**

An unexpected technical hitch always occurs at the wrong time. Thanks to KUHN i tech, your KUHN Approved Partner can get you up and running again quickly and efficiently. This 24/7 online service diagnoses the problem quickly and accurately.

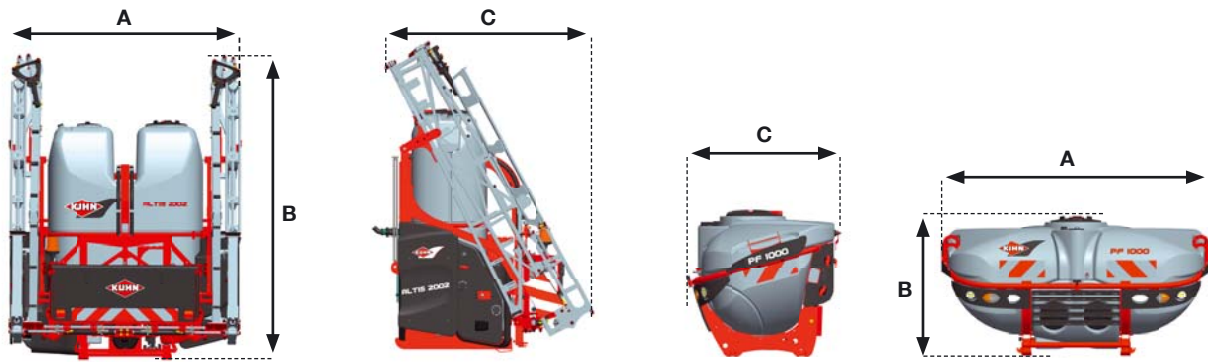
### KUHN finance

**WITH KUHN FINANCE, INVEST WITH AN EASY MIND WITH YOUR VERY OWN FINANCE PLAN**

Purchase new, more productive equipment and optimise your cash flow and tax situation! With KUHN finance, you can modernise your equipment and develop your farm steadily, according to your needs and requirements. Our plans are tailored to meet your needs.







|                                     | <b>ALTIS 1502</b>       |                        | <b>ALTIS 1802</b>                          |                        | <b>ALTIS 2002</b> |  | <b>PF 1000 (S)</b>   |                  | <b>PF 1500 (S)</b> |  |
|-------------------------------------|-------------------------|------------------------|--|------------------------|-------------------|--|--|------------------|--------------------|--|
| Nominal tank capacity (L)           | 1500                    |                        | 1800                                       |                        | 2000              |  | 1000   |                  | 1500               |  |
| Actual tank capacity (L)            | 1680                    |                        | 1900                                       |                        | 2280              |  | 1160   |                  | 1660               |  |
| Rinsing tank (L)                    |                         |                        | 230  |                        |                   |  | 190  |                  |                    |  |
| Pump (L/min)                        |                         |                        | PM 165-265 - PC700                         |                        |                   |  | 12V 22 L/min - PM 75-125<br>No pump on PF S                        |                  |                    |  |
| Boom type                           |                         |                        | Steel and Aluminium with hydraulic folding |                        |                   |  | -  |                  |                    |  |
| Boom width (m)                      |                         |                        | 14 to 28                                   |                        |                   |  | -  |                  |                    |  |
| Incorporator with bottle rinser (L) |                         |                        | 35-litre – as standard                     |                        |                   |  | Stainless steel basket with bottle rinser<br>optional (excl. PF S) |                  |                    |  |
| Tank rotary washers                 |                         |                        | 2 – as standard                            |                        |                   |  | 2 - as standard (excl. PF S)                                       |                  |                    |  |
| Setting up                          |                         |                        | Manuset - Diluset+ - e-Set                 |                        |                   |  | Manuset - Diluset + (excl. PF S)                                   |                  |                    |  |
| Regulation (Unit)                   |                         |                        | DPAE - RPB/REB3/VISIOREB                   |                        |                   |  | -  |                  |                    |  |
| Dimensions                          | ALTIS 1502<br>MTS 2 18m | ALTIS 1502<br>MTA3 21m | ALTIS 1502<br>MEA3 24m                     | ALTIS 1502<br>RHPA 28m |                   |  | PF 1000  | PF 1500          |                    |  |
| Height A (m)                        | 3.95                    | 3.35                   | 3.65                                       | 3.5                    |                   |  | 1.25   | 1.51             |                    |  |
| Length B (m)                        | 2.65                    | 2.40                   | 2.60                                       | 5.8                    |                   |  | 1.31   |                  |                    |  |
| Width C (m)                         |                         |                        | 2.55                                       |                        |                   |  | 2.40   |                  |                    |  |
| Unladen weight (kg)                 | 1470                    | 1455                   | 1500                                       | 1550                   |                   |  | 330<br>PF S: 305   | 400<br>PF S: 340 |                    |  |

**STANDARD EQUIPMENT:**

Rear road signaling equipment and identification plates - Filtering strainer - 5-metre filling pipe with strainer and coupling - Two sets of filters for suction and sections - Universal drive - Inductive speed sensor (to be assembled on the transmission shaft) - 12V supply harness connected directly to the battery.



OPTIS OMNIS DELTIS ALTIS 2 PF

# KUHN MOUNTED SPRAYERS IN BRIEF

## Technical specifications

|                      | OPTIS/OMNIS                       | DELTIS                 | ALTIS 2        | PF        |
|----------------------|-----------------------------------|------------------------|----------------|-----------|
| Tank capacity (L)    | 600/800/1000/<br>1200             | 1000/1200              | 1500/1800/2000 | 1000/1500 |
| Boom width (m)       | 9 to 16                           | 14 to 24               | 14 to 28       | -         |
| Regulation           | PC / DPM / DPME /<br>DPAE         | DPME/DPAE              |                | -         |
| Boom lifting system  | Fixed / Hydraulic<br>sliding mast | OPTILIFT parallelogram |                | -         |
| Boom suspension      | ◇                                 | TRAPEZIA or EQUILIBRA  |                | -         |
| Product incorporator | ◇                                 | ◆                      | ◆              | ◇         |
| Rinsing tank         | ◇                                 | ◆                      | ◆              | ◆         |

◆ standard equipment

◇ optional equipment

- unavailable

OPTIS / OMNIS

DELTIS

ALTIS 2

PF



For more information about your nearest  
KUHN dealer, visit our website  
[www.kuhn.com](http://www.kuhn.com)

### KUHN BLANCHARD SAS

24 rue de Nantes - 44680 CHÉMÉRÉ - FRANCE

### KUHN NORTH AMERICA, INC.

1501 West Seventh Avenue - P.O BOX 0167 - Brodhead, WI 53520 - USA

### KUHN FARM MACHINERY PTY. LTD

313-325 Foleys Road - Deer Park, VIC, 3023 - AUSTRALIA

### KUHN FARM MACHINERY (U.K.) LTD

Stafford Park 7 - GB TELFORD/ SHROPS TF3 3BQ



Visit us  
on our YouTube channels.



[www.kuhn.com](http://www.kuhn.com)

Your KUHN dealer

Information given in this document is only for information purposes and is non-contractual. Our machines are in compliance with regulations in force in the country of delivery. In our literature, and for improved illustration of certain details, some safety devices may not be in operating position. When operating these machines, these devices must be in position in accordance with the requirements indicated in the operator's manuals and assembly manuals. Respect the tractor gross vehicle weight rating, its lift capacity and maximum load per axle and tyres. The tractor front axle load must always comply with the regulations of the country of delivery (In Europe, it must reach minimum 20 % of the tractor net weight). We reserve the right to change any designs, specifications or materials listed without further notice. Machines and equipment in this document can be covered by at least one patent and/or registered design. Trademarks cited in this document may be registered in one or several countries.

You will also find  
KUHN on

