

Disc Mowers

GMD LIFT-CONTROL 1011 SERIES
GMD 1025 F SERIES
GMD 5251 TC



www.kuhn.com



be strong, be **KUHN**



GMD	2811	3111	3511	4011	4411	LIFT-CONTROL
GMD	3125 F	3525 F				
GMD	5251 TC					

SAY YES TO OUTPUT. SAY NO TO FORAGE CONTAMINATION.

Today, high-performance farms are aware that the most important features are those to complete a cost-effective mowing operation and therefore help to:

1. Make all the basic forage's nutritional value available for the herd.
2. Maximize the longevity of your mower.

LIFT-CONTROL IS THE ANSWER

The exclusive LIFT-CONTROL suspension: The clever kinetics combine lightening of the mowing unit with break-away safety – or differently said, clean forage with an efficient protection of the cutter bar. Additionally a uniform weight distribution over the entire working width is achieved by the central pendulum articulation of the mowing unit.

The results are perfect ground adaptation, limited mixing of impurities into the forage and, above all, considerable cost savings due to less repairs, wear and reduced fuel consumption.

OPTIMUM CUTTING QUALITY

It's the specific design of the OPTIDISC cutter bar with differing distances between diverging and converging discs, which provides for a clean cut. With this cutter bar, KUHN has additionally achieved to meet your needs in terms of reduced maintenance and high reliability.

KUHN's GMD mowers

in brief:

	Working width (m/ft)	Cutter bar	Hitch
GMD 2811	2.67 / 8'8"	OPTIDISC	rear mounted
GMD 3111	3.10 / 10'2"	OPTIDISC	rear mounted
GMD 3511	3.51 / 11'7"	OPTIDISC	rear mounted
GMD 4011	3.95 / 13'1"	OPTIDISC	rear mounted
GMD 4411	4.35 / 14'4"	OPTIDISC	rear mounted
GMD 3125 F	3.10 / 10'2"	OPTIDISC	front mounted
GMD 3525 F	3.50 / 11'6"	OPTIDISC	front mounted
GMD 5251 TC	5.20 / 17'1"	OPTIDISC	trailed





CLEAN FORAGE FOR HIGHER REVENUES

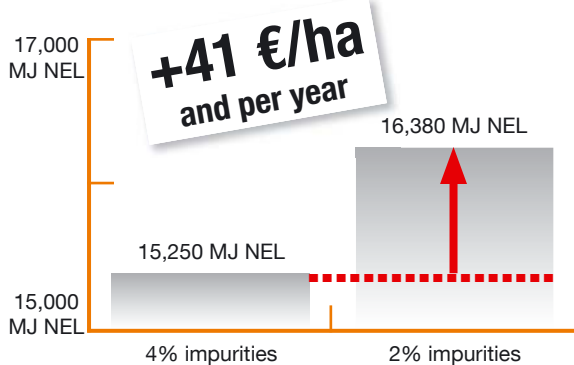
Any profits from animal husbandry start with the feed reserves stored in a silo, bales, or bunk. The aim is simple: produce as much meat or milk as possible from the basic feed ration components. To promote this objective, the feed's palatability must be optimized, encouraging as much uptake as possible while at the same time providing the maximum nutritional value. In this way you can considerably reduce the requirements for concentrates and supplements thus increasing profitability.

LOWERING THE LEVEL OF IMPURITIES FROM 4 % TO 2% SAVES 89 EUROS PER HECTARE AND YEAR!

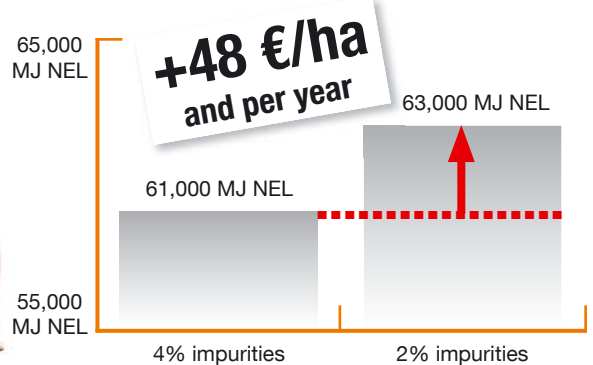
Studies, performed in a German region of intensive production, have determined the financial effect of the silage quality on a dairy

farm. Researchers compared two types of silage: the first with 2% impurities and the second with 4%. After measuring the nutritional effect of the poorer quality silage, they calculated the value of concentrate to add to reach the same production level. The financial effect was found to be 89 €/ha/year!

ENERGY UPTAKE PER COW PER YEAR



ENERGY CONTENT PER HA AT A YIELD OF 10 T DRY MATTER



THE SOLUTION: LIFT-CONTROL FOR...



Improved mowing – excellent ground contouring - less crop contamination
– nutritional value preserved – grass stubble protection for faster regrowth.



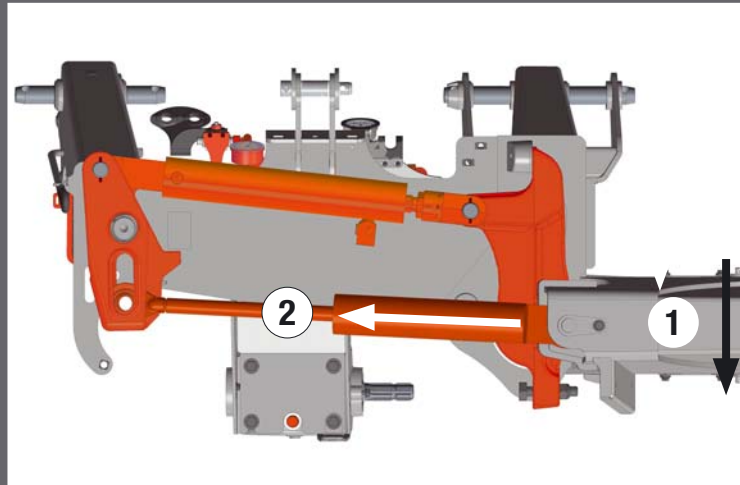
Reduced costs – less tensile forces - less fuel consumption – less wear and lateral forces – less concentrates needed
– increased working speed – increased productivity.



Easier work – adjustments from the cab – pressure gauge for accurate adjustment – easy passage of obstacles
– Non-Stop safety breakaway.

A CLEAN CROP AT LOWER COSTS AND IN LESS TIME: LIFT-CONTROL

LIFT-CONTROL is much more than just a suspension system with a nitrogen accumulator replacing the traditional spring. It combines suspension and Non-Stop safety in an active system, contrary to the passive system commonly in use. This saves repair and fuel costs as well as time at work, while ensuring an impeccable ground following.



PRACTICAL FEATURES:

- a progressive load relief (2) the greater the backward stress becomes during mowing (1) and to adapt the ground pressure.
- easier clearing of obstacles thanks to an increased ground pressure reduction when pivoting to the rear.
- no tools required to adjust or reset the machine.

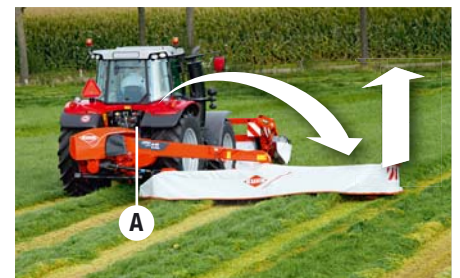


Scan this QR-code with your Smartphone to see at first hand how LIFT-CONTROL works.



"During our research, we wanted to find a system which would finally allow us to optimize the suspension to harvest high-quality fodder, while providing a Non-Stop safety system. It was only when we tested the first prototype, that we really became aware of the incredible efficiency of LIFT-CONTROL."

Vincent BACH - Project leader in the Design Office



ADJUST PRESSURE EASILY AND ACCURATELY

Through the accumulators, the ground pressure can be hydraulically adjusted according to harvesting conditions, with great precision and easily from the tractor seat. Therefore, on wet land, minimal pressure on the ground prevents the crop from becoming clogged and soiled. In general, a low ground pressure protects the stubble, reduces skid wear as well as fuel consumption.

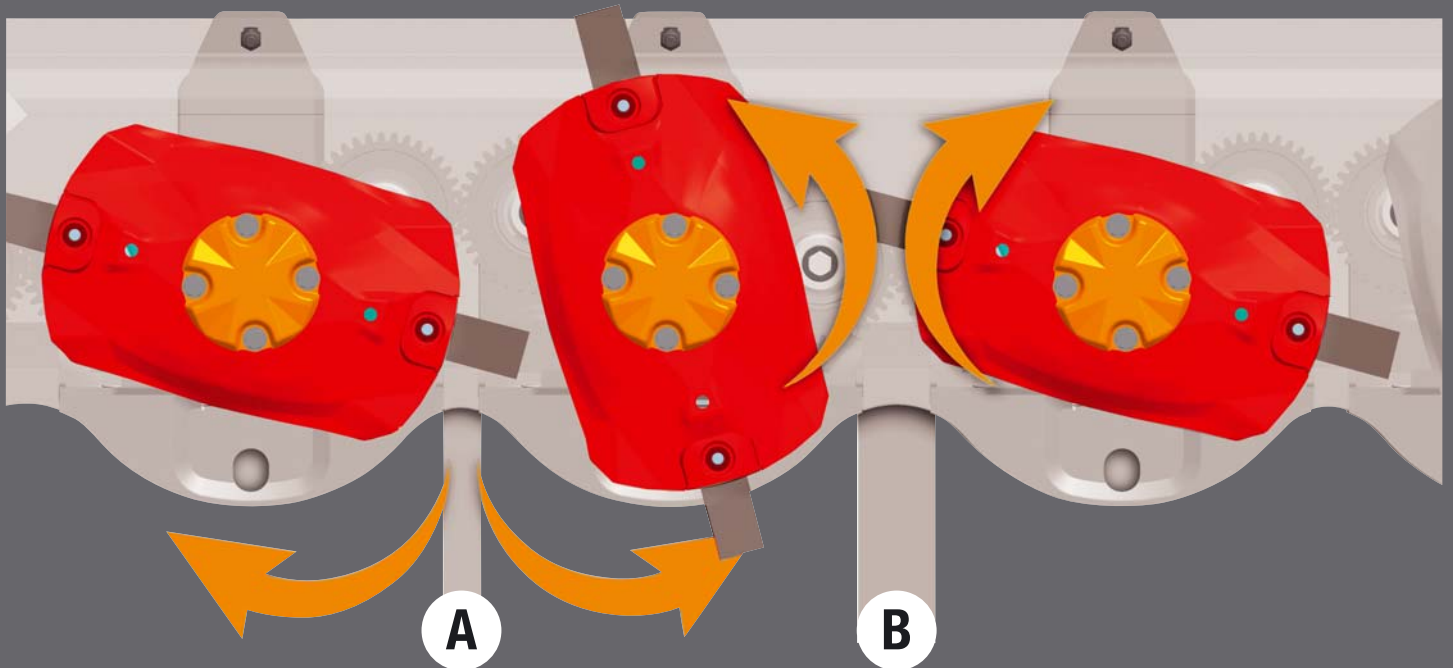


ACTIVE NON-STOP BREAKAWAY: MOW WITH A MIND AT EASE!

No farmer can afford to damage his mower during the peak season because of an unnoticed obstacle or a wrong move. On the GMD LIFT-CONTROL mowers, the mowing head will **pivots actively up to 25 degrees to the rear and at the same time will lift to clear the obstruction**. Once the NON-STOP breakaway function passes an angle of 11°, the ground pressure reduction is increased to support the movement. The safety breakaway also works efficiently, if the bar is hit at the left, as the pivoting point of the frame arm is far enough away from the first discs (A). The machine automatically resets into the original mowing position. LIFT CONTROL combines **suspension and the NON-STOP safety system, a market exclusivity**.



OPTIDISC: THE OPTIMUM CUT!

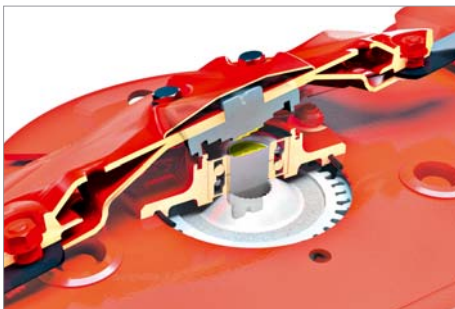


LESS DISTANCE FOR A CLEAN CUT

On the OPTIDISC cutter bar, the distance is reduced at the point where the discs diverge to increase the knife overlap which results in a clean cut even when the grass is short or light.

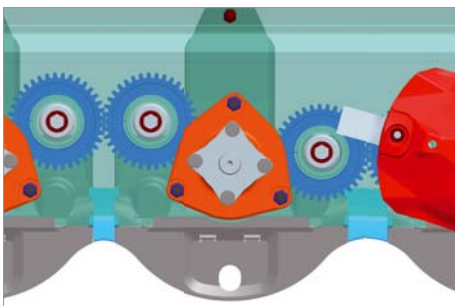
MORE DISTANCE FOR EASY CROP PASSAGE

At the point where the discs converge the distance is increased thus more space is provided for the crop to pass. Cut crop is quickly carried away from the cutting area, thus further improving the cutting quality.



PROTECTADRIVE PROTECTS THE MOST PRECIOUS PARTS

Every minute saved during the season is precious: in the event of a very violent impact between a disc and an obstacle, the shaft holding the disc can shear just above the bearing, thanks to a carefully dimensioned shear groove. The precious toothed wheels are protected. The cost saving is enormous: in less than 15 minutes the mower is operational once more at a very low repair cost!



UNFAILING SAFETY!

The discs are driven by large diameter gear wheels at all points. No small diameter spur gears are used. Benefit: Transmissible power is maximized as three cogs of the large gear wheels permanently engage. The shock resistance is also optimized throughout the drivetrain for unsurpassed reliability and longevity.

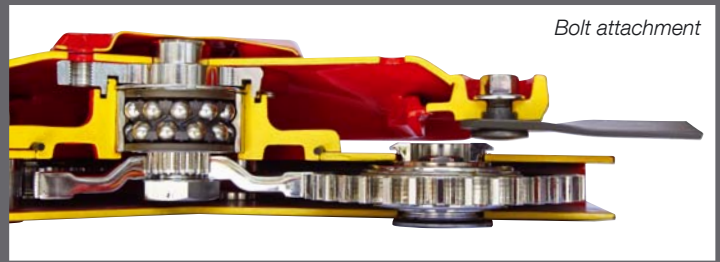
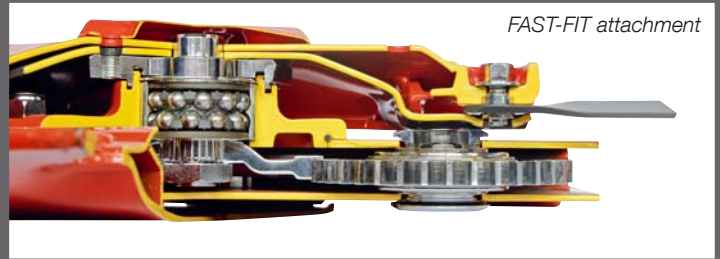


MINIMIZED DOWNTIME

The intermediate idler gears are easy to access. Simply remove the adjoining PROTECTADRIVE disc bearing station and you can carry out all repairs and exchanges quickly and without any oil change.



FAST-FIT OR BOLTS: THE KNIVES ARE COMPLETELY SECURED!



CHOICE IN KNIFE MOUNT SYSTEMS

Apart from the standard bolt attachment KUHN LIFT-CONTROL mowers can also be equipped with the FAST-FIT quick release knife system, depending on the country.

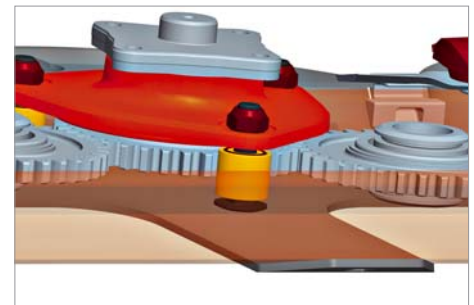
3 extra guarantees:

- A powerful leaf spring provides constant pressure to the knife retainer.
- The knife retaining pins are also equipped with a shoulder to provide an additional level of securement.
- The leaf spring can only be depressed to remove the knife at one point when it is centered over the shoe. Thus when the disc is rotating it cannot be released. To minimize costs the knife retention pin can be replaced separately from the leaf spring. Cutting quality remains excellent owing to the compactness of the cutter bar and the exclusive knife shape which move as close as possible to the guards.

EXCLUSIVE

EXTRA RIGIDITY WHERE IT COUNTS!

Disc bearing stations are attached by bolts that pass through the entire cutter bar. This is an exceptionally strong and secure attachment with no risk of mount being torn out of the cutter bar in case of shocks. The disc drive pinion is held precisely in place, all resulting in an excellent reliability and reduced repair costs.



EXCLUSIVE

SHOCK ABSORBERS BETWEEN CUTTER BAR AND CHASSIS

Shock absorbers are integrated in the connection between cutter bar and chassis. A real trump for long service life, especially when you work quickly!





CENTRAL ARTICULATION. PERFECT BALANCE.

A suspension system's performance is compromised if the weight distribution across the ground is not uniform. With the LIFT-CONTROL range the mowing head is suspended at its centre of gravity. Thanks to this central pendulum articulation, the unit runs smoothly and stable even over very rough fields. It provides excellent ground contouring, thus protecting the grass stubble and minimizing impurities in the forage. The major pivot angle enables obtaining a high quality cut in most versatile conditions.



CONTROL WITH CONFIDENCE

The mowing head is easily and precisely controlled with minimized hydraulic requirements to reduce reaction times. A single hydraulic valve is all that you require to raise and lower it. A minimum lift clearance of 40 cm (15.75") easily clears obstructions and previously cut crop.

GMD**2811****3111****3511****3511 RS**

THE COMFORT RANGE

Quality of work and comfort features characterize the GMD 2811, 3111 and 3511 mowers. They are at ease in very varied conditions. The terrain following characteristics provided by the LIFT-CONTROL system as well as the central pendulum articulation of the mowing head will meet the most demanding hay field requirements by preventing forage contamination effectively.



COMFORTABLE ATTACHMENT SOLUTION

To attach the mower to the tractor, there is **no need to change the length of the tractor linkage arms** in order to balance the mower weight. Moreover, when unfolding it to working position, the cutting height is automatically settled at 45/50 mm (1.77/1.95") without any manipulation of the upper link.

ADAPTABLE TO LARGE TYRE TRACTORS

With an **offset of 19 cm (7.48")**, the GMD 1011 models can be easily adapted to large tyre widths and to optimize the overlap when combined with a front mower.

SAFE AND EASY TRANSPORT

The lengthways transport position of these models provides an extensive visibility to the back. The unit is also parked in this position making it easy to back into a narrow barn. A wide two point parking stand provides stability when the mower is in storage.



GMD**2811****3111****3511****3511 RS**

MODERN. PRACTICAL. RELIABLE.



KUHN DESIGNERS THINK PRACTICAL

A modern design will never be the most important argument for you to choose your model. But it is undeniable that the new bodywork design of the GMD 1011 LIFT-CONTROL mowers is appealing and integrates elegantly the box for spare knives.

PROVEN KUHN RELIABILITY!

The structure of the chassis, beams and articulations are worthy of a KUHN construction: strength and longevity is ensured.

EVEN LESS SERVICING

With a 100 hour maintenance schedule, greasing the secondary PTO shaft is no longer a daily activity.





GMD 3511 RS

LESS GRASS CONTAMINATION

The GMD 3511 RS is a specific mower for delicate forage as well as grassland regions with predominantly wet conditions or marshy soils. In order that the cut crop is not overrun by the tractor wheels, the swath width can be reduced to approx. 1.40m (4'3"). This way it is not pressed on the ground and thus not subject to additional contamination by soil.



be strong, be **KUHN**

KUHN PARTS

Designed and manufactured to rival time



KUHN foundries and forge as well as a high-level manufacturing process allow the production of spare parts to defy time. You can truly rely on our know-how and our genuine parts. Farmers benefit from our client support and logistics services via any KUHN PARTS warehouse, which provide quick and reliable repair solutions in cooperation with your nearest authorized KUHN dealer.





GMD

4011

4411

MAXIMUM PRODUCTIVITY IN A MOUNTED MOWER

With the GMD 4011 and 4411 models it is possible to achieve performances previously not thought possible. Cutting rates of up to 5 ha (12 acres) per hour are attainable.

For even higher area output, add a GMD 3125 F or GMD 3525 F front mower of 3.10 m (10'2") and 3.50 m (11'6") respectively, for a total working width of 7.60 m (24'11"). An additional offset of 190mm (7.48") of the rear GMD 4011 and 4411 mowers enables an increased overlap between front and rear units, if necessary.

This is productivity thought on a new level for mounted mowers, which almost matches certain triple combinations at a distinctly lower cost!



SUSPENSION FOR TRANSPORT AND AT WORK

With high speed transport now being the norm, KUHN has installed a hydro-pneumatic suspension system on the GMD 4011 and 4411 mowers. This system absorbs bumps and jolts on the road which makes the tractor more stable for better control and less mechanical stress. This system is also appreciated when making headland turn manoeuvres.



AT EASE ON HEADLAND AS WELL AS ON THE ROAD

Both mowers provide a lift height of at least 40 cm (15.75") controlled by one double chamber hydraulic valve from the tractor, which is located under the beam. There is no need to also raise the tractor's 3-point linkage to achieve sufficient lift on headland.

While one chamber is used for raising the cutter bar, the other is connected to the accumulator and therefore provides a **performing suspension** at transport and in headland turn position.



CROP IS NO LONGER RUN OVER

An optional swath divider on the GMD 4411 model makes it possible to deliver the cut forage in two swaths. The reason is clear, as the tractor wheels can comfortably roll between the swaths without damaging and contaminating the cut crop.

GMD**3125 F****3525 F**

MODERN STYLE MEETS GREAT PERFORMANCE

The first impression counts: and this one is very attractive, when looking at the KUHN GMD front mowers. Perfectly fitting to the new GMD 1025 F series, these models feature so many functional KUHN characteristics that it is difficult not to forget one:

- a special frame design for an unmatched ground adaptation;
- the maintenance-free OPTIDISC cutter bar for an optimum cut;
- PROTECTADRIVE safety and FAST-FIT quick-release knife system;
- the hydro-pneumatic LIFT-CONTROL suspension of the mowing unit;
- easy adjustments for increased user comfort;
- a strong and safe cat. 2 attachment (no A frame) also providing a high clearance for the PTO shaft.

EXCLUSIVE

A FUNCTIONAL LOOK

The new KUHN GMD front mowers come along with an attractive, but also especially functionally designed headstock. The compact frame, based on a shark fin, offers improved visibility and subtly

integrates the suspension unit, which is responsible for an exceptionally high ground adaptation.

The two support arms are positioned way apart from each other, thus ensuring that the mower runs stable.



SUPPORT ARMS THAT DYNAMISE

The highly specific kinematics of these machines include two strong lower connecting rods mounted on extra-large ball joints. The connecting rods are attached to the tractor in a lower position than at the front. This creates dynamic stress during operations which produces a lift-effect on the mower unit and makes a considerable difference to ground contour following in hilly areas.



GREAT TERRAIN FOLLOWERS

Front mowing units have to remain flexible enough to smoothly adapt to all terrain changes, they may encounter. At the same time they are often subject to higher stress. The KUHN GMD front mowers are designed for this purpose, featuring a pendulum-type articulation of the mowing unit and significant displacement opportunities. They can oscillate left to right at an angle of up to 30° and cover a vertical travel range of nearly 70 cm!

QUICK AND EASY SETTINGS

User comfort is one of the pressing topics at KUHN. On GMD 3125 F/3525 F, ground pressure can be easily and quickly set via a hydraulic suspension, always keeping it at the right level in this way. On the headland, the unit is lifted with the support of an integrated cylinder. The tractor's front hydraulics thus remain untouched at work.



NARROW SWATH. CLEAN FORAGE.

On the front GMD front mowers, one driven swath drum on each side groups the crop and reduces the swath width down to 1.00 to 1.20m. This way the tractor wheels don't drive over it and tamp it down into the soil.



WIDE AND MODULAR OVERLAP

For a clean cut on slopes and bends, the overlap of the units can be adjusted by changing the rear GMD 1011 serie's offset by 190 mm. That makes a possible overlap between 240 and 645mm, depending on the rear attachment as well as the working width of the front unit. An evident benefit also when you work with tractors with wide tracks or large wheels.

FLEXPROTECT: FLEXIBLE PROTECTION

Twisted side covers after having hit an obstacle: not on the KUHN front GMD mowers! In this event, the FLEXPROTECT high density polyethylene side covers bend without breaking or damaging the mower. After the obstacle is passed, the material automatically returns back to its original.



GMD | **5251 TC**

MOWING UP TO 7 HA PER HOUR ALSO WITH LOW-TECH TRACTORS

The increase in grassland to mow necessarily leads to an adaptation of the equipment used. With the new trailed large width central drawbar disc mower GMD 5251 TC, KUHN offers a cost-effective alternative with regards to front-rear mowing units coupled to tractors of a certain size and necessarily equipped with a front lift linkage and PTO-shaft. This high work output model features a working width of 5.20m and is intended for medium power tractors as from 110 - 120hp only.



RAPID AND EASY TRANSPORT

Transport-work position setting is carried out in less than ten seconds. The transport wheels set in forward position and road travel dimensions below 2.90m (9'6") make the GMD 5251 TC disc mower a highly manoeuvrable machine for accessing plots and very safe for transport also at high groundspeeds.



A WELL DELIVERED SWATH

Forage is delivered in one swath of approximately 4m width facilitating drying and the later tedding process, with the possibility to divide it in the middle depending on the setting of the flow dividing plates.



FEATURES FOR HIGH WORK OUTPUT AND DRIVING COMFORT

The trailed position combined with the central drawbar for back and forth mowing increases the output considerably.

The widely recognised manoeuvrability of the GYRODINE swivel hitch adds to a superior driving comfort.



PLANT COVER PROTECTED

The wide working wheels (400 / 60 - 15.5) avoid running over the forage and reduce the unit's ground pressure, thus protecting the plant cover and promoting regrowth.



HUGGING THE TERRAIN

Forage quality and nutritional value are preserved thanks to the suspension with four powerful springs and mower unit kinematics with upward travelling connecting rods that ensure perfect ground contour following.

DISC MOWERS: MORE FEATURES FOR YOUR BENEFIT



FOR YOUR SAFETY AND RESELL VALUE

Because user safety is a paramount issue for KUHN, the protective covers resist perforation or tearing and responds to the highest safety standards. The tail light is protected by a steel enclosure. All this contributes to the high resale value which is a globally recognized advantage for KUHN mowers.

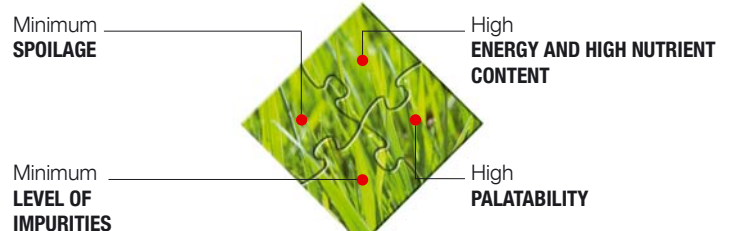
SIMPLY GREAT FORAGE!

Did you know that you can save concentrates worth 89 €/ha and year, just by reducing the impurities in the forage from 4 to 2 %*? We are at your side to help you produce forage of top quality to realize according gains.

We would like to pass on our know-how in forage production, gathered during several decades of producing hay/silage making implements.

We provide advice for you to produce first-class animal feed. We help you to understand the strong points of our machines in order for you to use them in an optimal way to preserve the quality of your forage.

With the KUHN expertise, you will harvest forage with...



Find all our expertise on forage.kuhn.com

Technical specifications

Disc Mowers

	GMD 2811	GMD 3111	GMD 3511	GMD 3511 RS	GMD 4011	GMD 4411	GMD 3125 F	GMD 3525 F	GMD 5251 TC
Working width (m/ft)	2.67 / 8'8"	3.10 / 10'2"	3.51 / 11'7"		3.95 / 13'1"	4.35 / 14'4"	3.10 / 10'2"	3.50 / 11'6"	5.20 / 17'1"
No. of discs	6	7	8		9	10	7	8	12
Cutter bar	OPTIDISC (with FAST-FIT knife attachment and PROTECTADRIVE safety)								
Removal of disc bearing stations from the top of the cutter bar	◆								
Cutter bar drive	through the 1 st disc								through central disc
Gear train protection	PROTECTADRIVE system								
Mowing unit suspension and safety	LIFT-CONTROL hydropneumatic suspension and Non-Stop safety						LIFT-CONTROL hydropneumatic suspension	by springs (separate adjustment)	
Ground adaptation	central pendulum-type articulation of mowing units						integrated suspension unit		
Hydraulic ground pressure adjustment	◆								
Average swath width (m/ft)	1.70 / 5'6"	2.30 / 7'7"	2.80 / 9'2"	1.40 / 4'7"***	3.30 / 10'6"	3.70 / 12'2"	1.00 - 1.20 / 3'3" - 3'11"		4.00 / 13'1"
Swathing system	inner and outer swath wheel	outer swath wheel		inner and outer swath wheel	outer swath wheel		2 driven swath drums		swath shields
Integrated hydraulic lift	◆								
Transport width (m/ft)	1.70 / 5'6"			1.80 / 5'11"	1.88 / 6'2"		2.99 / 9'10"	3.48 / 11'4"	2.90 / 9'6"
Transport position setting	hydraulic swivel 90° backwards and automatic locking						-		lengthwise
Attachment	3-point, cat. 2				3-point, cat. 3		3-point, cat. 2		GYRODINE headstock, 2-point cat. 2
Adjustable hitch offset	19 cm offset possible						-		
PTO speed (min ⁻¹)	540	540 and 1,000*		1,000					
Drive safety with friction slip clutch	◆								
Free wheel	◆ (integrated into the side gearbox)								
Min. PTO power requirement, approx. (kw/hp)	27 / 37	32 / 43	36 / 49	36 / 49	41 / 55	45 / 61	32 / 43	36 / 49	54 / 73
Lighting and signalling	◆ (in accordance with the regulations in the country of destination)								
Tractor hydraulic requirements	1x SA** + 1x DA						1x SA		2x DA
Tractor electric requirements	1x 7-pin plug								
Weight (kg/lbs)	845 / 1,863	900 / 1,985	950 / 2,095	980 / 2,160	1,085 / 2,395	1,120 / 2,470	1,105 / 2,440	1,180 / 2,600	3,000 / 6,615

◆ standard ◊ option - not available *PTO speed available depends on the country. **Only necessary to adapt ground pressure. ***Depending on forage type and ground speed.

More optional equipment: high cone disc for reducing swaths to 2.0m (GMD 3111) and to 3.0m (GMD 4011) – raised skid shoes for 30 to 85mm cutting height – kit for swath divider (GMD 4411).

KUHN SERVICES*

*Not all services and equipment are available in every country.

KUHN sos order

EXPRESS SPARE PARTS SERVICE 24/7

You urgently need spare parts? With KUHN sos order benefit from express delivery seven days a week, 365 days a year. Thus, you can minimize machine downtime considerably and increase your work output.

KUHN protect +

THE CHOICE OF PROFESSIONALS!

Benefit from 36 months in complete serenity because of KUHN's protect+ warranty. You can concentrate exclusively on your work and the performance of your machine. Because this is what you expect, when investing in high-tech machinery.



KUHN i tech

FOR EVER QUICKER REPAIRS!

An unexpected technical problem always occurs at the wrong time. Your KUHN dealer can support you quickly and efficiently thanks to KUHN i tech. With this 24/7 online service, a quick and exact diagnosis is possible.

KUHN finance

INVEST RATIONALLY!

New machine necessary, financing unsure? Modernize your equipment and develop your farm with KUHN finance, in total safety and according to your needs and demands. We offer custom-made finance solutions, adapted to your requirements.

KUHN

APPS

SMALL PROGRAMS WITH GREAT IMPACT

FOR A POWERFUL FORAGE HARVESTING CHAIN

The forage harvesting chain is only as strong as its weakest link. It's important that all machines do well interlock. In this context, the KUHN ForageXpert app can support you in optimizing your harvest system according to your current equipment. With this tool you can quickly find the mower, mower conditioner, tedder and rake that are best adapted to your existing forage machines.

Available on the Apple Store as well as Google Play.



Scan this code to directly access the KUHN ForageXpert app.

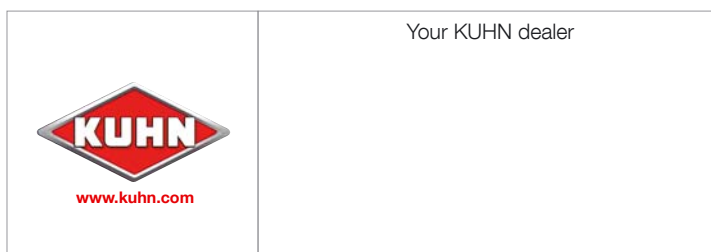
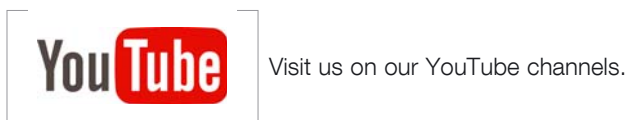


Check out the extensive KUHN range of hay and silage making implements

1. Front-mounted disc mower conditioners
2. Front- and rear-mounted drum mowers
3. Rear-mounted disc mowers
4. Rear-mounted disc mower conditioners
5. Triple gang combinations
6. Trailed mower conditioners



For more information about your nearest KUHN dealer, visit our website www.kuhn.com



Your KUHN dealer

KUHN S.A.

4 Impasse des Fabriques - BP 50060
F-67706 Saverne CEDEX - FRANCE

KUHN NORTH AMERICA, INC.

1501 West Seventh Avenue - Brodhead,
WI 53520 - USA

KUHN FARM MACHINERY PTY. LTD

313-325 Foleys Road - Deer Park, VIC, 3023 - AUSTRALIA

KUHN FARM MACHINERY (U.K.) LTD

Stafford Park 7 - GB TELFORD/ SHROPS TF3 3BQ

Information given in this document is only for information purposes and is non-contractual. Our machines are in compliance with regulations in force in the country of delivery. In our literature, and for improved illustration of certain details, some safety devices may not be in operating position. When operating these machines, these devices must be in position in accordance with the requirements indicated in the operator's manuals and assembly manuals. Respect the tractor gross vehicle weight rating, its lift capacity and maximum load per axle and tyres. The tractor front axle load must always comply with the regulations of the country of delivery (In Europe, it must reach minimum 20 % of the tractor net weight). We reserve the right to change any designs, specifications or materials listed without further notice. Machines and equipment in this document can be covered by at least one patent and/or registered design. Trademarks cited in this document may be registered in one or several countries.

Also find KUHN on

