

Two-auger horizontal TMR mixers



EUROMIX II

www.kuhn.com



be strong, **be KUHN**



Total mixed rations

CHOPPING QUALITY AND REGULAR FEEDING

Available in 14 and 18 m³ models, EUROMIX II TMR mixers boast a number of stand-out features, such as their robust design, low height for easy loading and user friendly operation with their electric controls.

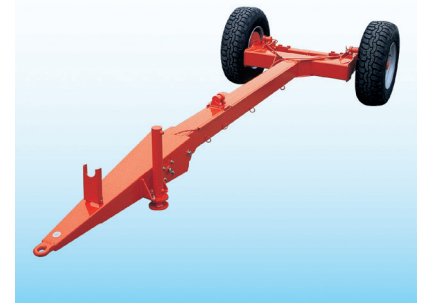
The EUROMIX II range comes equipped as standard with FLEXIDRIVE to produce mixed rations based on long-fibre fodder such as hay and haylage.

The “mushroom” mixing concept with the two horizontal augers fulfils nutritional standards in terms of chopping quality, preservation of the fibre structure and production of a homogeneous TMR.

With its symmetrical body design, EUROMIX II can discharge even fodder feed to both sides of the machine in a single pass.

DESIGN SYNONYMOUS WITH STRENGTH

For greater accuracy, EUROMIX II machines are equipped as standard with an independent chassis. The body rests on the chassis via three load cells. All of the cells are permanently activated regardless of the body position: no fluctuation in the measurement due to poor load distribution.



The body is assembled and welded in a swivel jig to obtain a constant quality finish and maximum rigidity to withstand impacts on loading.

The quality of the steel and the thickness of the auger coils help them to resist abrasion and corrosion by silage juices.

ELECTRONIC WEIGHING: THE GUARANTEE OF A BALANCED RATION



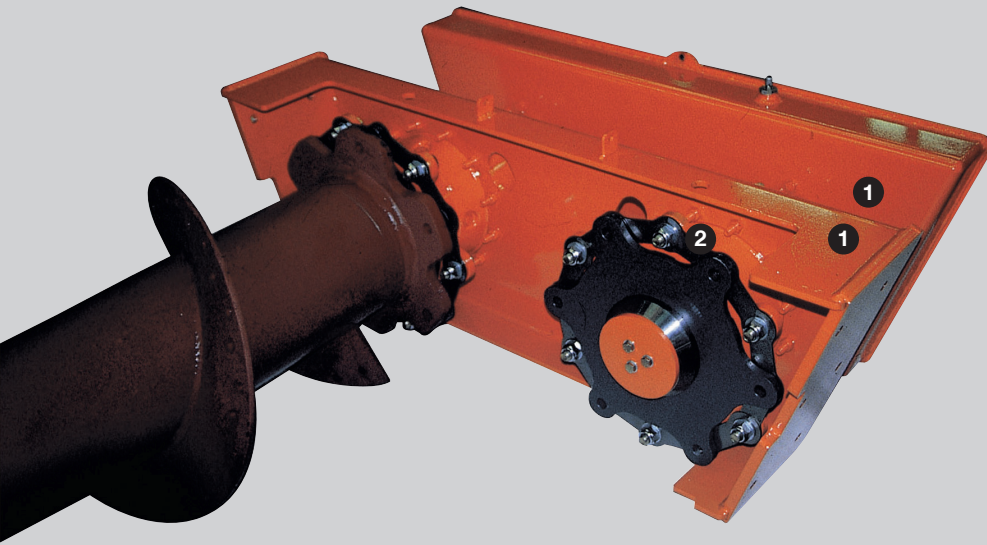
A highly accurate weighing system helps guarantee efficient management of fodder stocks and rational feeding. The electronic weighing system supplied as standard on EUROMIX II TMR mixers lets you know exactly how much fodder is loaded into the machine and ingested by your animals.

The KDW 341 weighing system is perfectly suited to feed management: in “simple” mode with direct readout of the quantities loaded and distributed, or in “programmable” mode for more comprehensive nutrition management (in this case, programming is done per head).



FLEXIDRIVE

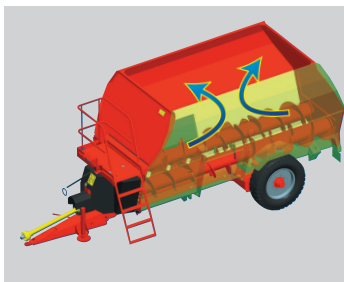
THE SECRET OF LONG LIFE IN HIGH-FIBRE TMR FEEDING



The EUROMIX II features a patented auger drive - FLEXIDRIVE - consisting of a series of gears and comprising a reversing system as standard. Each auger is connected to the drive via a gearbox.

1 The two fabricated assemblies between the gearboxes acts as bearings to guarantee the durability of the mechanism.

2 The mixing augers are connected to the gearboxes by flexible strips in a stack arrangement. These strips are designed to absorb any deflections in the auger tube generated on loading whole bales into the body or during transportation of a fully loaded machine.



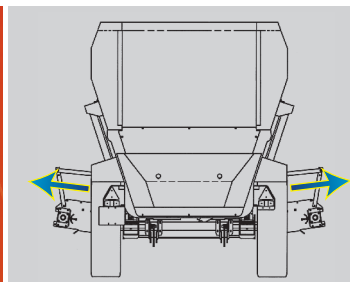
“MUSHROOM” MIXING CONCEPT

The mixing augers bring the product towards the centre of the machine. The mixing concept is aided by the 30° angle of the front and rear walls of the machine body: this design not only guides the TMR flow but also optimises the volume of the mixer.



AUGERS PRESERVING THE FIBRE STRUCTURE

The two convergently rotating augers are equipped with sections for chopping long-fibre products. The auger coils are broken in the middle to avoid compressing and overchopping the mix. Positioned between the two augers, an adjustable counter-knife is designed to vary the aggressiveness on the fibre.



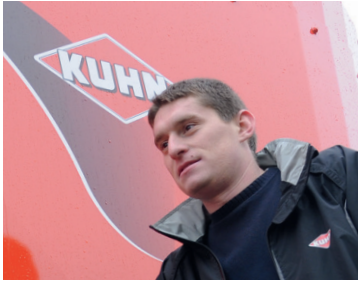
TWO-SIDED FEEDING AS STANDARD

With its symmetrical design and twin discharge doors fitted as standard, the ration can be distributed on both sides of the machine on a single pass.



SUITED TO ALL TYPES OF TROUGH

The EUROMIX II range is fitted as standard with a conveyor on the right and a discharge chute on the left. To adapt to all shed layouts, your machine can be equipped with a wide selection of conveyors of various lengths on either side.



Technical specifications

EUROMIX II Two-auger horizontal TMR mixers

		EUROMIX II 1460 FLEXIDRIVE	EUROMIX II 1860 FLEXIDRIVE
Effective volume (m ³)		14	18
Mixing concept		2 horizontal augers	2 horizontal augers
Overall dimensions (m)	Height*	2.75	2.97
	Width with 2 chutes	2.23	2.34
	Width with 1 x 0.80 m conveyor + 1 chute	2.32	2.36
	Width with 2 x 0.80 m standard conveyors**	2.38	2.38
	Length	6.54	7.25
Feeding height* (m)	Discharge chute	0.40	0.40
	0.80 m standard conveyor extended to 45°	0.93	0.93
	0.80 m standard conveyor fully extended	0.43	0.43
Outside width at wheels (m)		2.11	2.34
Mixing auger speed (min ⁻¹)		20	20
Body bottom thickness (mm) / Wall thickness (mm)		10/4	10/4
Unladen weight in working order (kg)		5 560	6 340
Type of controls		Electric	Electric
Tyre size		315/80 R22.5 18PR	425/65 R22.5 18PR
Recommended tractor power (kW/hp)		66/90	74/100
Min. hydraulic equipment on tractor for basic machine		1 SA valve with free return + 1 DA valve for independent hyd. stand	
Min/max flow rate (l/min) at 180 bar (recommended pressure)		30/50	30/50

*Depending on tractor and tyres

** Equipment varies from country to country

A wide range of equipment is available for the EUROMIX II range: weighing devices and accessories, tyres, a variety of chopping and feeding equipment, etc.

For further information, please consult the price list for your country.

For more information about your nearest
KUHN dealer, visit our website
www.kuhn.com

KUHN FARM MACHINERY LTD (U.K.)

Phone: (01952) 239300/1/2 - www.kuhn.co.uk


KUHN FARM MACHINERY PTY. LTD (Australia)

Phone: (+61) 3 9982 1490 - www.kuhn.com.au

KUHN-AUDUREAU S.A.

BP 19 - FR 85260 La Copechagniere

Some machines have a considerable weight. Respect the tractor gross vehicle weight rating, its lift capacity and maximum load per axle. The tractor front axle load must always reach minimum 20 % of the tractor net weight. Our material is produced in accordance with the European Machinery Directive in the member states of the European Union. In countries outside the E.U., our machinery complies with the safety regulations set by the country concerned. Some safety devices may have been removed from our leaflets in order to clarify the illustration. Under no circumstances should the machine be operated without the necessary safety devices in place (as specified by the assembly instructions and operators manual). We reserve the right to change any designs, specifications or materials listed without further notice. Machines and equipment in this document can be covered by at least one patent and/or registered design. Trademarks cited in this document may be registered in one or several countries.

 www.kuhn.com	Your KUHN dealer
---	------------------

Also find KUHN on

